

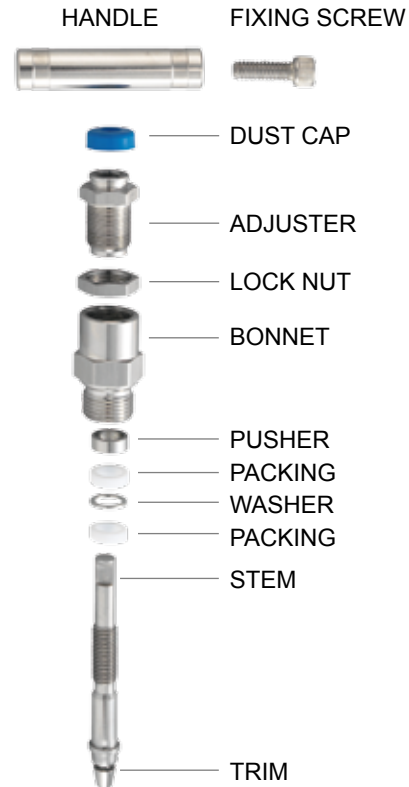
## Multiport Gauge Valve MPGV Series



### Features

- Maximum working pressure:
  - 6000 psi (414bar) at 100°F (38°C)
  - 10000 psi (690bar) at 100°F (38°C)
- Working temperature:
  - Metal Seat: -65°F (-54°C) to 464°F (240°C)
  - Delrin<sup>®</sup> Seat: -20°F (-28°C) to 200F (93°C)
- Multiport gauge valves allow the versatile positioning of gauges or pressure switches without requiring additional penetration of the main piping.
- Standard configuration has a male 1/2" NPT or 3/4" male inlet and three 1/2" NPT female outlet ports.
- Available with metal seats or soft seats operating in dirty service with repetitive bubble tight shutoff.
- Compact design requires minimum space for operation and installation and realizes cost savings to reduce the numbers of components and decrease possible leak points.
- TEFLON<sup>®</sup> packings can be adjusted to extend the valve life.
- Non rotating stem design to reduce the galling and provide excellent seal on seat
- Stem threads are rolled and lubricated to prevent galling and reduce operating torque.
- Sealing area below the threads protects from the contaminant by process and prevents lubricant washout.
- Safety back seating seal in fully open position to perform a secondary stem seal.
- Body to bonnet seal creates metal to metal constant and reliable compression.
- Bonnet lock pin prevents accidental removal while in service.
- Optional sour gas service conforms to NACE MR0175.
- Hydro test performed with pure water at 1.5 times of working pressure
- 100% factory test
- Material traceability

### Material of Construction

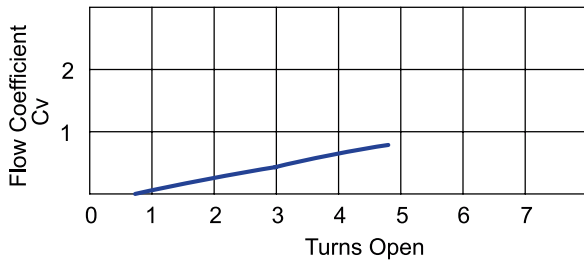


Component	Valve Body Material	
	316 S.S.	Carbon Steel
Body	316 S.S./A479	Carbon Steel/A108
Bonnet	316 S.S./A479	Carbon Steel/A108
Stem	316 S.S./A276	304 S.S./A276
Adjuster	316 S.S./A276	Carbon Steel/A108
Lock Nut	316 S.S./A276	Carbon Steel/A108
Handle	303 S.S./A276	Carbon Steel/A108
Fixing Screw	302 S.S.	Zinc plated steel
Packing	Teflon <sup>®1</sup>	Teflon <sup>®1</sup>
Washer	316 S.S./A276	316 S.S./A276
Pusher	316 S.S./A276	316 S.S./A276
Dust Cap	NBR	NBR
Lock Pin	303 S.S./A276	303 S.S./A276

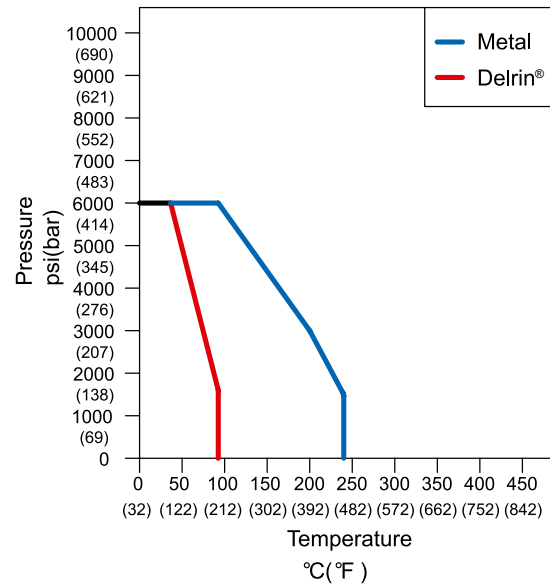
### Note:

1. Packing is optional with graphite for high temperature to 450°C.
2. Delrin<sup>®</sup> soft seat limits working temperature to 93°C (200°F) maximum.
3. Optional accessories: plug and bleed valve.

### Flow Characteristics



### Pressure Vs. Temperature



### Optional Accessories

Bleed valves can be used on gauge valves to bleed pressure before the removal of an instrument.

Bleed valves and plugs are purchased separately.

### Bleed Valve



Component	Valve Body Material	
	316 S.S.	Carbon Steel
Body	316 S.S./A479	Carbon Steel/A108
Stem	316 S.S./A276	316 S.S./A276

Ordering No.	Size
BV□4	1/4" NPT male
BV□8	1/2" NPT male

### Plugs



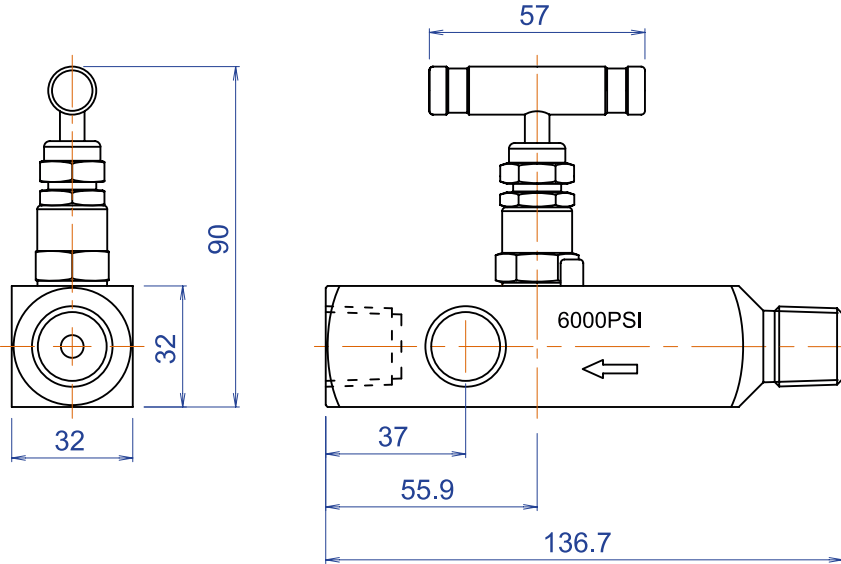
Component	Valve Body Material	
	316 S.S.	Carbon Steel
Body	316 S.S./A276	Carbon Steel/A108

Ordering No.	Size
PP□4	1/4" NPT male
PP□8	1/2" NPT male

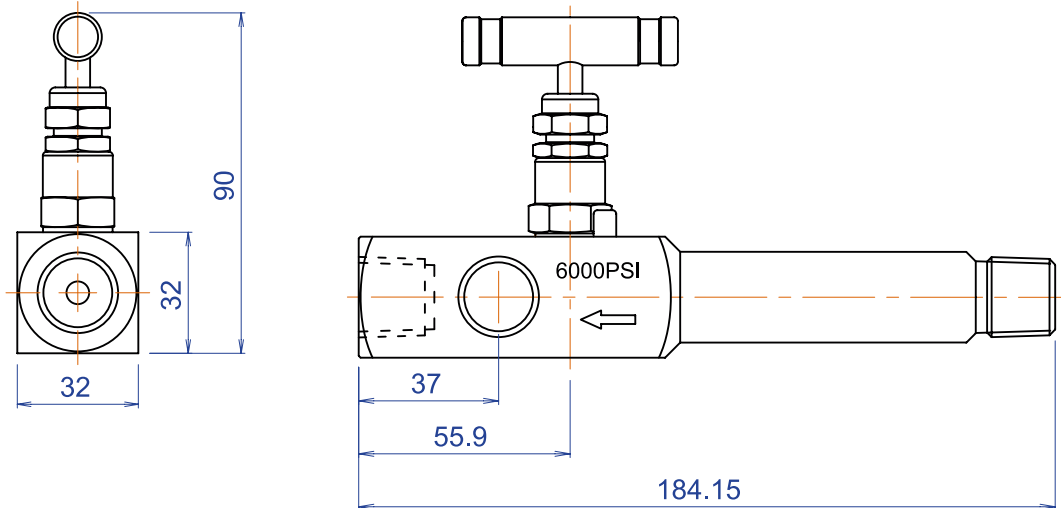


When venting out the pressure, open the valve slowly and direct the vent hole away from the operator for safety.

**Dimensions**



Ordering No.	End Connection			Orifice (bore)
	Inlet/Process	Outlet/Instrument	Test/Vent	
MPGV□8	1/2"NPT male	1/2"NPT female	1/2" NPT female	6
MPGV□128	3/4"NPT male	1/2"NPT female	1/2" NPT female	6



Ordering No.	End Connection			Orifice (bore)
	Inlet/Process	Outlet/Instrument	Test/Vent	
MPGV□8LB	1/2"NPT male	1/2"NPT female	1/2" NPT female	6
MPGV□128LB	3/4"NPT male	1/2"NPT female	1/2" NPT female	6

All dimensions shown are for reference and subject to change without prior notice.

Sizes listed are standard. Other sizes and end types are available upon request. Refer to ordering information.

## Standard Material

### Hard Seat

Valve	Body	Bonnet	Stem	Packing	Trim
316 SS	316-A479	316-A479	316-A276	Teflon <sup>®</sup>	316-A276
Carbon Steel	A108	A108	304-A276	Teflon <sup>®</sup>	304-A276

### Soft Seat

Valve	Body	Bonnet	Stem	Packing	Seat
316 SS	316-A479	316-A479	316-A276	Teflon <sup>®</sup>	Delrin <sup>®</sup>
Carbon Steel	A108	A108	304-A276	Teflon <sup>®</sup>	Delrin <sup>®</sup>

## Ordering Information

MPGV		S		12		8		LB	
Series		Body Material		Inlet		Outlet & Vent		Optional	
MPGV	Hard Seat	S	316 S.S.	8	1/2"	8	1/2"	LB	Long body
SMPGV	Soft Seat	C	Carbon Steel	12	3/4"			VT	Viton <sup>®</sup> O-rings with Teflon <sup>®</sup> backup rings
								G	Low Emission Graphite
								BSPT	BSPT thread

### Note:

1. Viton<sup>®</sup>, Teflon<sup>®</sup> and Delrin<sup>®</sup> are all registered trademarks of DuPont. Refer to chemical resistance guide and choose suitable elastomer for your application.
2. Carbon steel valves are yellow zinc plated to resist corrosion.